

PANTHERA PTT

Urban Lighting / Post Top Light



DAVISLIGHTING

Features

Stylish curved design post top fitting
Wide range of power and lighting distribution available
Robust high pressure diecast aluminium construction
High performance LED light source
IP66 & IK09 rated

Applications

Urban lighting
Building surrounds
Area lighting
Parks and Pathways

Options

0-10V, PWM, Resistor
DALI
Type IV & V distribution

Standards

Manufactured under ISO 9001:2015 to standards
IEC 60598-1
IEC 60598-2-3
IEC 62722
IEC CISPR 15



PANTHERA PTT

Urban Lighting / Post Top Light



DAVISLIGHTING

Specifications

Model	PTT20- RxDO5Zy	PTT40- RxDO5Zy	PTT60- RxDO5Zy	PTT80- RxDO5Zy	PTT100- RxDO5Zy
Nominal Power (W)	20	40	60	80	100
Luminaire Flux (lm)	2400	4800	7200	9600	12000
Luminaire Efficacy (lm/W)	120				
Input Voltage (V)	220-240				
Frequency (Hz)	50/60				
Power Factor	>0.90				
CCT (K)	3000/4000				
CRI (Ra)	>70				
SDCM	≤5				
Luminaire Rated Life (hr)	>50,000				
IP Rating	IP66				
IK Rating	IK09				
Operating Temp. (°C)	-35 to 50				
Weight (kg)	9.3				

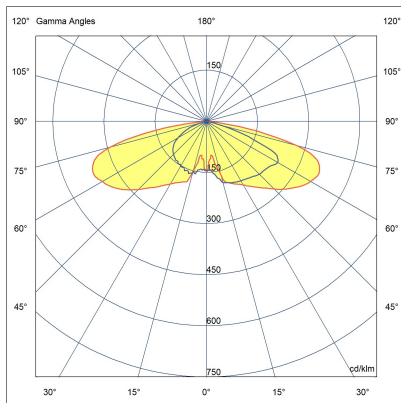
"X" denotes CRI & CCT, R73 = CRI>70, 3000K ; R74 = CRI>70, 4000K

"DO5" denotes 0-10V + Resistor + PWM dimming

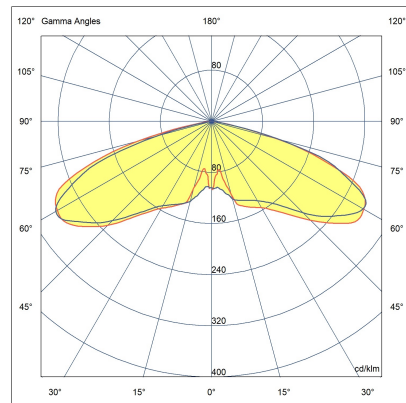
"y" denotes Distribution Pattern, Z03 = Type IV Medium ; Z04 = Type II Medium

Lighting Data

PTT20-R73D05Z03



PTT20-R73D05Z04



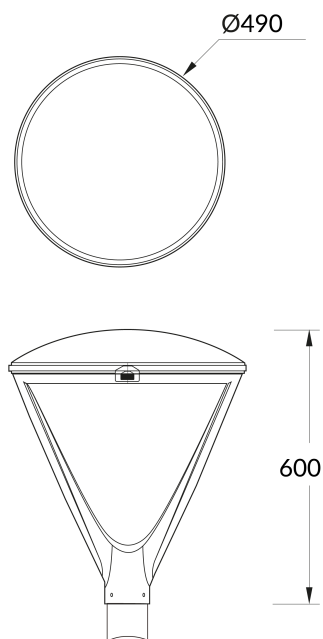
PANTHERA PTT

Urban Lighting / Post Top Light



DAVISLIGHTING

Dimension



All photometric and electrical data published are of $\pm 10\%$ tolerance. Characteristics and specifications may change without notice. All electrical installations / connections should be carried out by a suitably qualified person. Application images are indicative only and may not contain actual Davis product. The information contained in this publication is typical and must not be interpreted as a guarantee of individual product performance.