

Dalton - DLC CTD

Interior Lighting / Downlight

Features

- Enhanced performance
- Low-profile design
- Remote LED driver
- Switchable CCT: 3000K, 4000K, 5000K
- High performance 40,000 hrs lifetime
- Dimmable
- 1.2m supply flex & 2-pin plug
- Quick and easy installation
- IP40 below ceiling, IP20 above



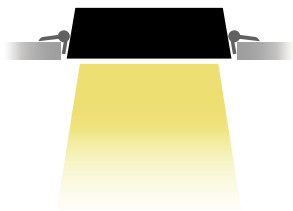
Applications

- Retail shops
- Bars, restaurants
- Galleries
- Display areas
- Bedrooms, lounge rooms

Standards

- Manufactured under ISO 9001:2015 to standards
- IEC/AS/NZS 60598.1
- IEC/AS/NZS 60598.2.1
- IEC/AS/NZS 60598.2.2
- IEC/AS/NZS CISPR 15

Mounting Methods



Recessed



Dalton - DLC CTD

Interior Lighting / Downlight



DAVIS LIGHTING

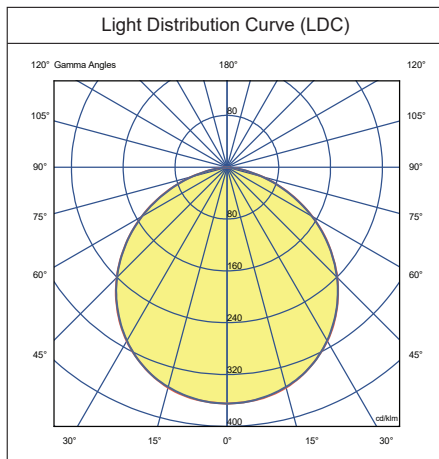
Specifications

Model	DLC409WCTD	DLC413WCTD	DLC415WCTD	DLC620WCTD	DLC828WCTD
Nominal Power (W)	9	13	15	20	28
Input Voltage	200 - 240 VAC 50 / 60 Hz				
Luminaire Flux (lm)	650	980	1450	1740	2400
Luminaire Efficacy (lm/W)	79	80	97	87	86
CRI	> 80				
Power Factor	> 0.90				
CCT Switchable (K)	3000-4000-5000				
Beam Angle (°)	90	90	90	120	120
Luminaire Rated Life (hrs)	40,000				
Ambient Temp. t_a (°C)	40				
Weight (kg)	0.28	0.28	0.52	0.67	0.93

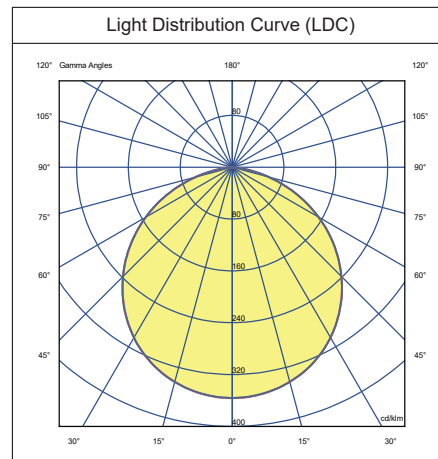
Specifications shown for 4000K

Lighting Data

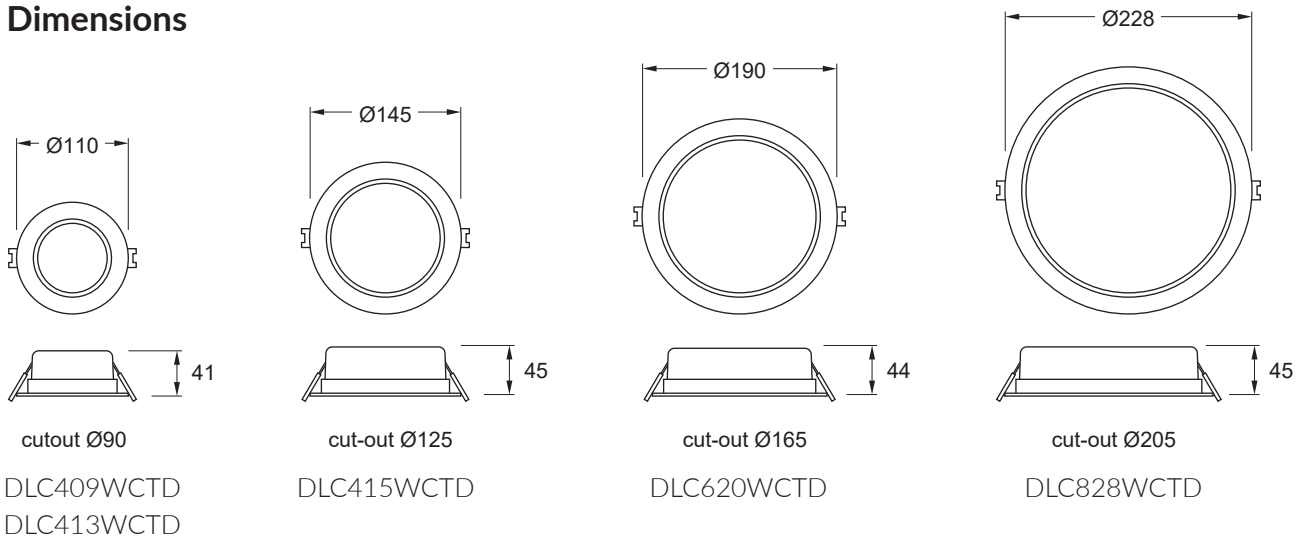
DLC620WCTD



DLC828WCTD



Dimensions



Characteristics and specifications may change without notice. All electrical installations / connections should be carried out by a suitably qualified person. Application images are indicative only and may not contain actual Davis product. The information contained in this publication is typical and must not be interpreted as a guarantee of individual product performance.