

WELUX LED Floodlight

Lithium F Series

Housing and Trim: Aluminium
 Mounting type: Surface
 Heat Management: High quality aluminium heat sink
 Reflector: PMMA Lens
 Beam angle: 10/20/30/60/90°
 Diffuser: Clear PMMA
 IP rating: 66

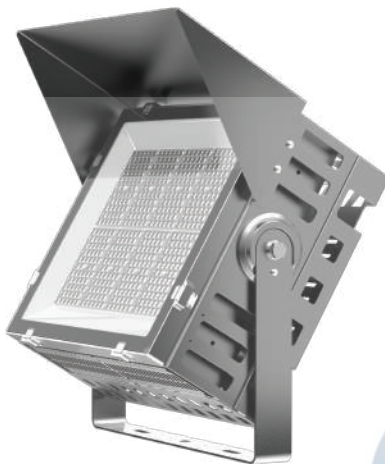
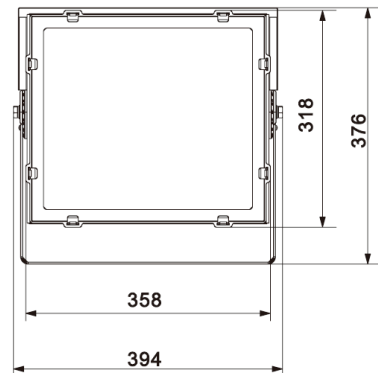
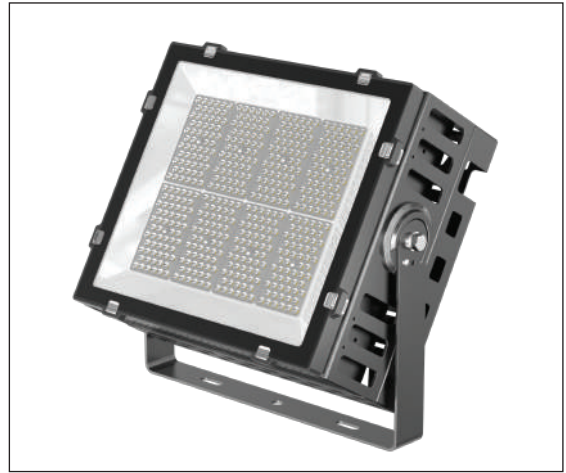
LED Modules: Cree
 Long service life time: > 50,000 hours (L70)
 THD <20%

Drivers: Meanwell
 (optional: Dimmable available)
 Power factor at full load : > 0.9
 Surge protection : 4 - 10Kv

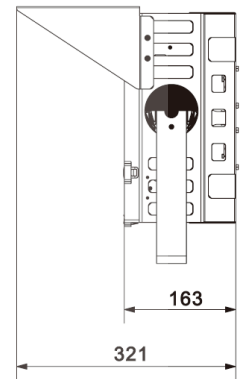
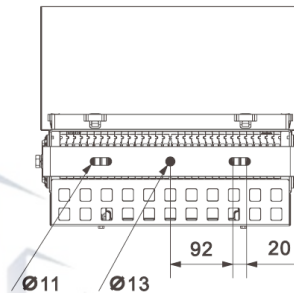
Standards
 EN 620301: LED modules for general lighting - Safety specification
 EN 62471: Photobiological safety of lamps and systems
 EN 55015: Radio disturbance emissions
 EN 61000-3-2 Limited for harmonic emissions
 EN 61547: Immunity requirements

Warranty: 3 years

Application: Sport, Commercial Building, Facade Building, Factories, Tunnel, etc.



Anti glare louver available



Model	Wattage	Voltage	Frequency	Power Factor	Colour	Colour Temperature	Luminous Flux (Lm)	Efficacy Lm/W	Typ. Beam Angle	Typ. CRI Ra	Energy Efficiency	Dimension (W x H x D) mm	Weight kg
LF-300W	300W	220-240	50/60Hz	0.95	Warm white	3000K	36000	120	10, 20, 30, 60, 90	>70	A+	394 x 376 x 163	9.0
		220-240	50/60Hz	0.95	Neutral white	4000K	37500	125	10, 20, 30, 60, 90	>70	A+		
		220-240	50/60Hz	0.95	Cooll white	6500K	39000	130	10, 20, 30, 60, 90	>70	A+		
LF-400W	400W	220-240	50/60Hz	0.95	Warm white	3000K	48000	120	10, 20, 30, 60, 90	>70	A+	394 x 376 x 163	9.0
		220-240	50/60Hz	0.95	Neutral white	4000K	50000	125	10, 20, 30, 60, 90	>70	A+		
		220-240	50/60Hz	0.95	Cooll white	6500K	52000	130	10, 20, 30, 60, 90	>70	A+		

*Colour tolerance: 5 MacAdam **Production tolerance of luminous flux and efficiency: ±10% ***Min. CRI ±3% ****Power consumption: ±10%
 The values contained in this data sheet can change due to technical innovations without notifications, therefore kindly refer to us when during order.

WELUX LED Floodlight

Lithium F Series

Housing and Trim: Aluminium
 Mounting type: Surface
 Heat Management: High quality aluminium heat sink
 Reflector: PMMA Lens
 Beam angle: 10/20/30/60/90°
 Diffuser: Clear PMMA
 IP rating: 66

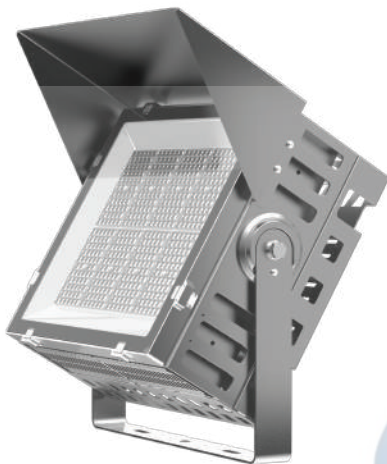
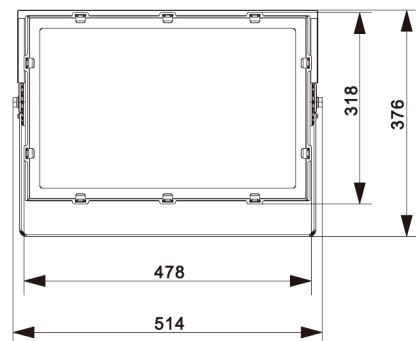
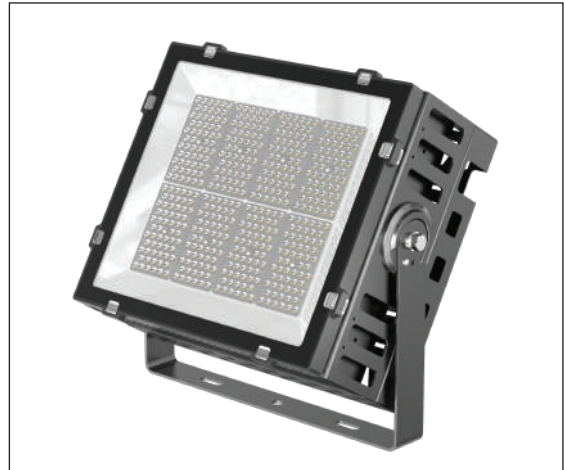
LED Modules: Cree
 Long service life time: > 50,000 hours (L70)
 THD <20%

Drivers: Meanwell
 (optional: Dimmable available)
 Power factor at full load : > 0.9
 Surge protection : 4 - 10Kv

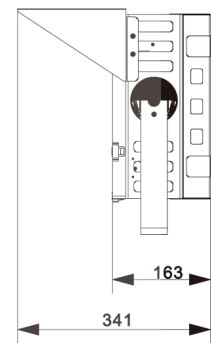
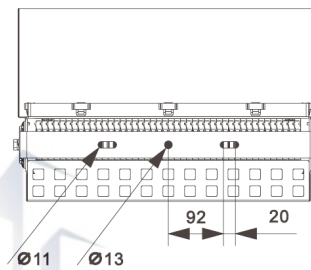
Standards
 EN 620301: LED modules for general lighting - Safety specification
 EN 62471: Photobiological safety of lamps and systems
 EN 55015: Radio disturbance emissions
 EN 61000-3-2 Limited for harmonic emissions
 EN 61547: Immunity requirements

Warranty: 3 years

Application: Sport, Commercial Building, Facade Building, Factories, Tunnel, etc.



Anti glare louver available



Model	Wattage	Voltage	Frequency	Power Factor	Colour	Colour Temperature	Luminous Flux (Lm)	Efficacy Lm/W	Typ. Beam Angle	Typ. CRI Ra	Energy Efficiency	Dimension (W x H x D) mm	Weight kg
LF-500W	500W	220-240	50/60Hz	0.95	Warm white	3000K	60000	120	10, 20, 30, 60, 90	>70	A+	514 x 376 x 163	11.9
		220-240	50/60Hz	0.95	Neutral white	4000K	62500	125	10, 20, 30, 60, 90	>70	A+		
		220-240	50/60Hz	0.95	Cooll white	6500K	65000	130	10, 20, 30, 60, 90	>70	A+		
LF-600W	600W	220-240	50/60Hz	0.95	Warm white	3000K	72000	120	10, 20, 30, 60, 90	>70	A+	514 x 376 x 163	11.9
		220-240	50/60Hz	0.95	Neutral white	4000K	75000	125	10, 20, 30, 60, 90	>70	A+		
		220-240	50/60Hz	0.95	Cooll white	6500K	78000	130	10, 20, 30, 60, 90	>70	A+		

*Colour tolerance: 5 MacAdam **Production tolerance of luminous flux and efficiency: ±10% ***Min. CRI ±3% ****Power consumption: ±10%
 The values contained in this data sheet can change due to technical innovations without notifications, therefore kindly refer to us when during order.

WELUX LED Floodlight

Lithium F Series

Housing and Trim: Aluminium
 Mounting type: Surface
 Heat Management: High quality aluminium heat sink
 Reflector: PMMA Lens
 Beam angle: 10/20/30/60/90°
 Diffuser: Clear PMMA
 IP rating: 66

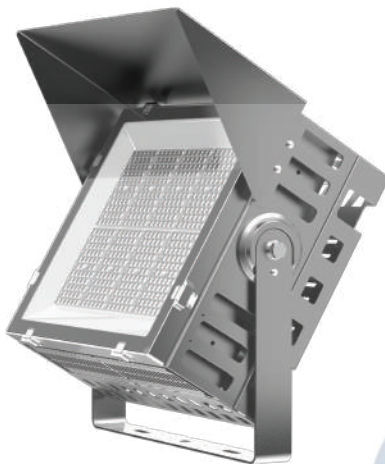
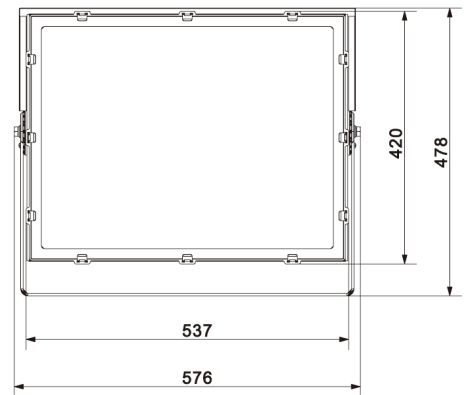
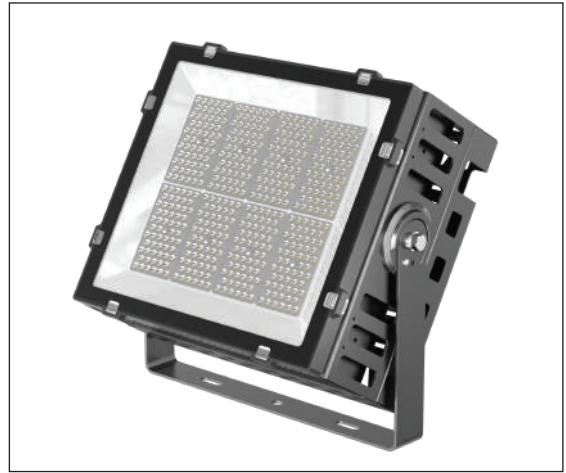
LED Modules: Cree
 Long service life time: > 50,000 hours (L70)
 THD <20%

Drivers: Meanwell
 (optional: Dimmable available)
 Power factor at full load : > 0.9
 Surge protection : 4 - 10Kv

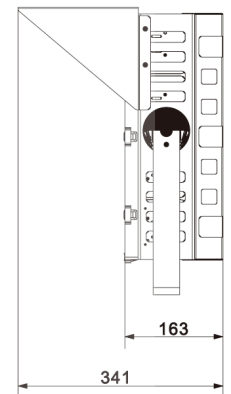
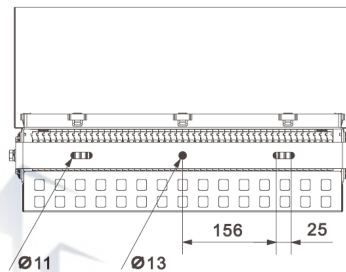
Standards
 EN 620301: LED modules for general lighting - Safety specification
 EN 62471: Photobiological safety of lamps and systems
 EN 55015: Radio disturbance emissions
 EN 61000-3-2 Limited for harmonic emissions
 EN 61547: Immunity requirements

Warranty: 3 years

Application: Sport, Commercial Building, Facade Building, Factories, Tunnel, etc.



Anti glare louver available



Model	Wattage	Voltage	Frequency	Power Factor	Colour	Colour Temperature	Luminous Flux (Lm)	Efficacy Lm/W	Typ. Beam Angle	Typ. CRI Ra	Energy Efficiency	Dimension (W x H x D) mm	Weight kg
LF-800W	800W	220-240	50/60Hz	0.95	Warm white	3000K	96000	120	10, 20, 30, 60, 90	>70	A+	576 x 478 x 163	16.6
		220-240	50/60Hz	0.95	Neutral white	4000K	100000	125	10, 20, 30, 60, 90	>70	A+		
		220-240	50/60Hz	0.95	Cooll white	6500K	104000	130	10, 20, 30, 60, 90	>70	A+		
LF-1000W	1000W	220-240	50/60Hz	0.95	Warm white	3000K	120000	120	10, 20, 30, 60, 90	>70	A+	576 x 478 x 163	16.6
		220-240	50/60Hz	0.95	Neutral white	4000K	125000	125	10, 20, 30, 60, 90	>70	A+		
		220-240	50/60Hz	0.95	Cooll white	6500K	130000	130	10, 20, 30, 60, 90	>70	A+		

*Colour tolerance: 5 MacAdam **Production tolerance of luminous flux and efficiency: ±10% ***Min. CRI ±3% ****Power consumption: ±10%
 The values contained in this data sheet can change due to technical innovations without notifications, therefore kindly refer to us when during order.